

SECTIONAL TERMINAL BLOCKS

3/8" SECTIONAL CHANNEL (C), FLAT (F), & DIN MOUNT

ELECTRICAL:

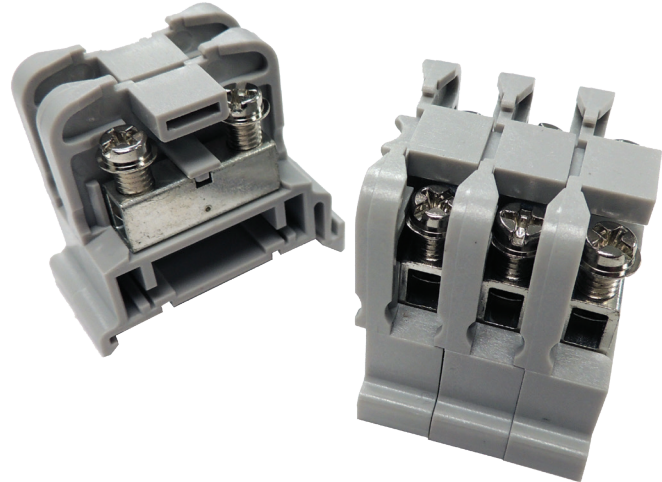
See table

STANDARDS:

UL recognized file no. XCFR2.E62806 or E47811
 CSA certified file no. LR19766 (CSA C22-2 No. 158)
 CE (Component IEC 60947-7-1)
 RoHS compliant (All)

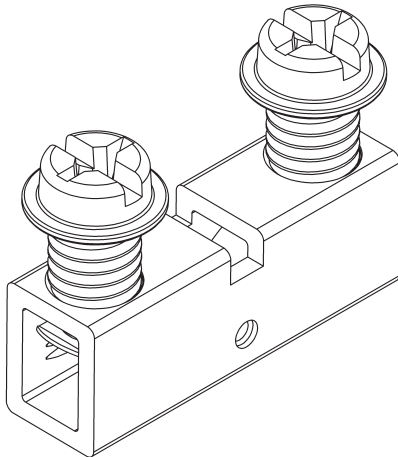
WEBSITE RESOURCES:

Dimensional drawings & 3D CAD files
 Termination and mounting specifications
 Detailed product/series data sheets



6G38 TSKK DIN

6G38 TS - TUBULAR SCREW CONNECTOR



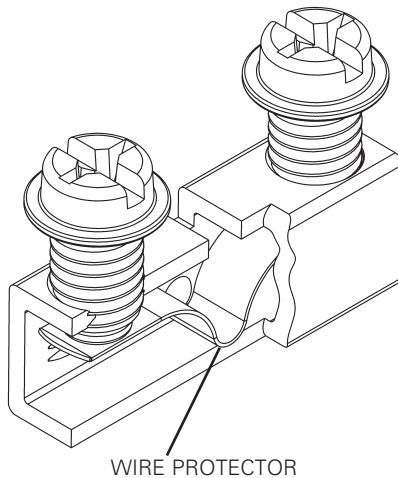
ELECTRICAL AND WIRE RANGE INFO:

50 amps (40 amps CSA)
 32 circuits per foot
 Single and multiple wire combinations:

<u>Stranded CU</u>	<u>Solid CU</u>
(1) #8 - #18 AWG	(1) #10 - #16 AWG
(1-3) #12 AWG	(1-3) #12 AWG
(1-4) #14 AWG	(1-4) #14 or #16 AWG

CATALOG #	DESCRIPTION	STD PK
6G38 TS F	Flat mount block	100
6G38 TS C	Channel mount block	100
6G38 TS DIN	DIN mount block	25

6G38 TSKK - TS WITH WIRE PROTECTOR CONNECTOR



ELECTRICAL AND WIRE RANGE INFO:

40 amps
 32 circuits per foot
 Single and multiple wire combinations:

<u>Stranded CU</u>	<u>Solid CU</u>
(1) #10 - #22 AWG	(1) #10 - #14 AWG
(1-2) #12 AWG	(1-2) #12 or #14 AWG
(1-3) #14 AWG	
(1-4) #16 AWG	
(1-5) #18 or #22 AWG	

CATALOG #	DESCRIPTION	STD PK
6G38 TSKK F	Flat mount block	100
6G38 TSKK C	Channel mount block	100
6G38 TSKK DIN	DIN mount block	25

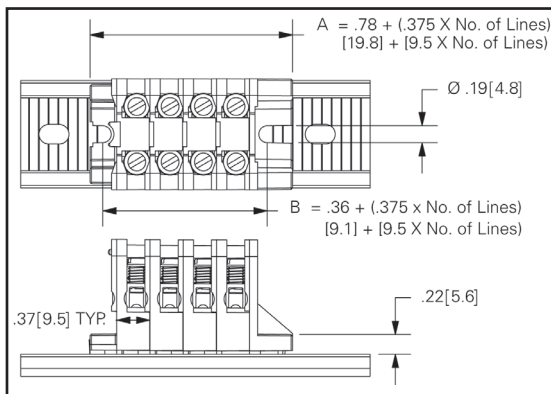
SECTIONAL TERMINAL BLOCKS

ACCESSORIES:

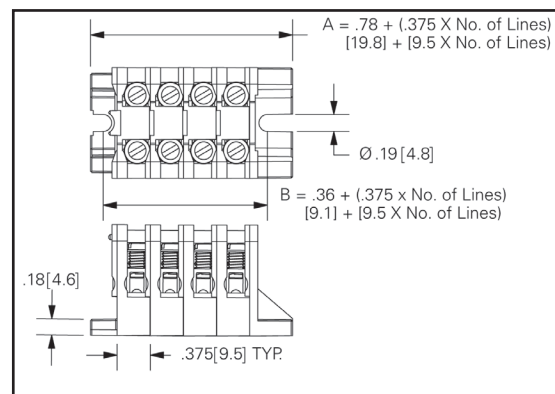
CATALOG #	DESCRIPTION	IMAGE	STD PACK
J 38	Jumper for TS and TSKK		50
MC	Mounting Clamp (For channel style only)		25
MS 2	Vinyl Marking Strip (1/2" x 2' white)		25
MN35-2	DIN Rail, 35 x 7.5 mm 2 m long, slotted		25
MSK35	End bracket for DIN mount base		25
6G38 E C 6G38 E F 6G38 E DIN	End bracket for 6G38 versions		25
MPC-3 (3 ft channel) MPC-6 (6 ft channel)	Channel		1

DIMENSIONS - 6G38 TS & TSKK

CHANNEL MOUNT



FLAT MOUNT



DIN MOUNT

